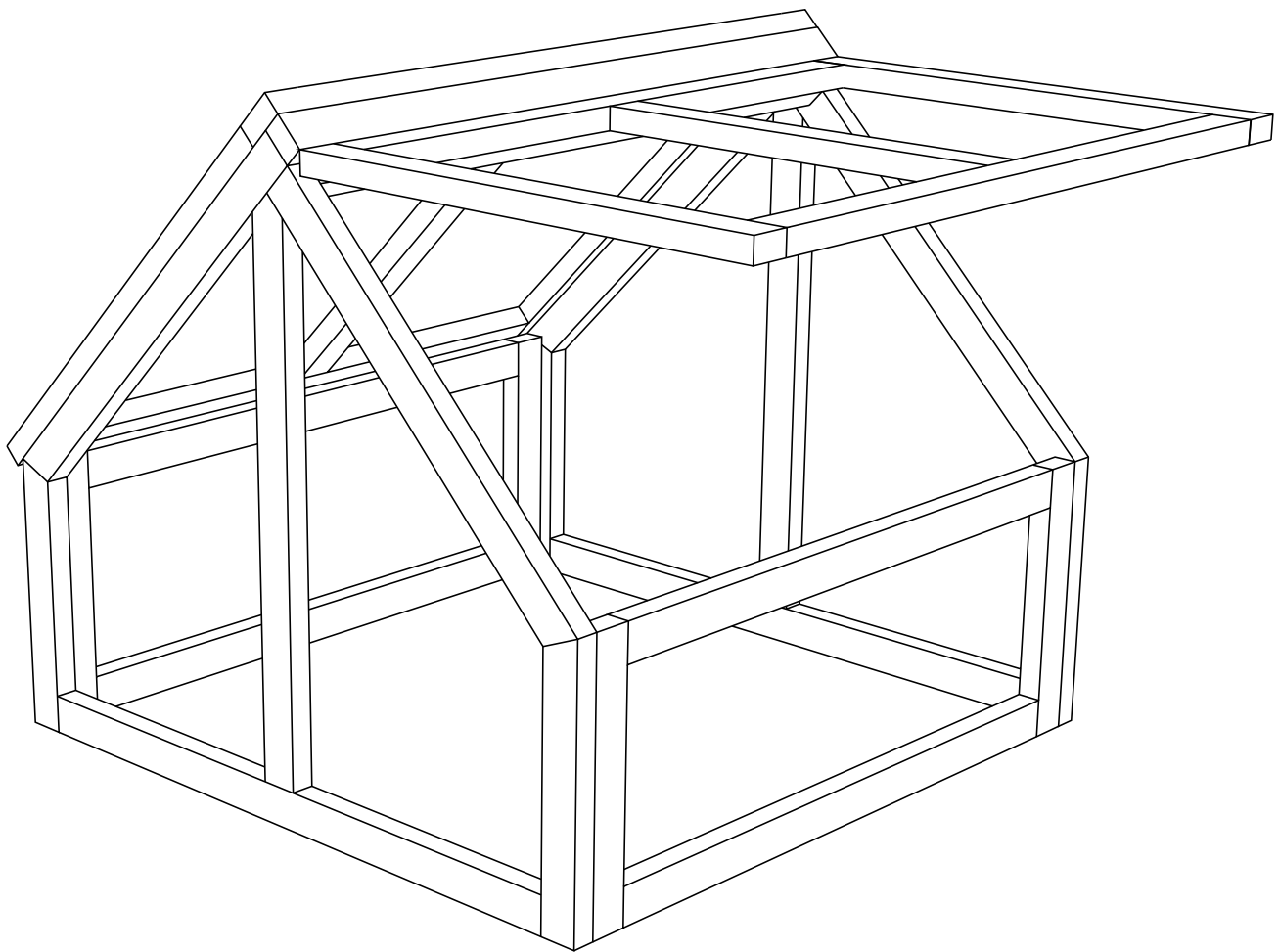


# 4' x 4' MINI GREENHOUSE



**RJT**  
DESIGNS

[www.rjtdesigns.com](http://www.rjtdesigns.com)

Copyright © 2010 - RJT Designs

# 4' x 4' MINI GREENHOUSE

This mini-greenhouse is an easy to build project that will allow you the opportunity to extend the growing season. The large hinged roof panels allow easy access for planting and harvesting and can also be propped open for ventilation.

Cedar is the best choice for material because it has natural rot-resistant properties, however it is very expensive. I have used unfinished, untreated 2 x 3 fir framing studs (which are inexpensive) to build my first mini-greenhouses and 4 years later they are still in great shape and have not started to rot. Pressure treated lumber is not recommended because it contains toxic chemicals that can leach into the soil. Exterior grade screws and hinges should also be used so they will not rust in the humid environment and outdoor elements.

For covering the mini-greenhouse I used 6 MIL greenhouse film which I purchased from Growers Supply ([www.growersupply.com](http://www.growersupply.com)). It is very inexpensive, has a 4 year rating and holds up very well.

Copyright © 2010 by RJT Designs

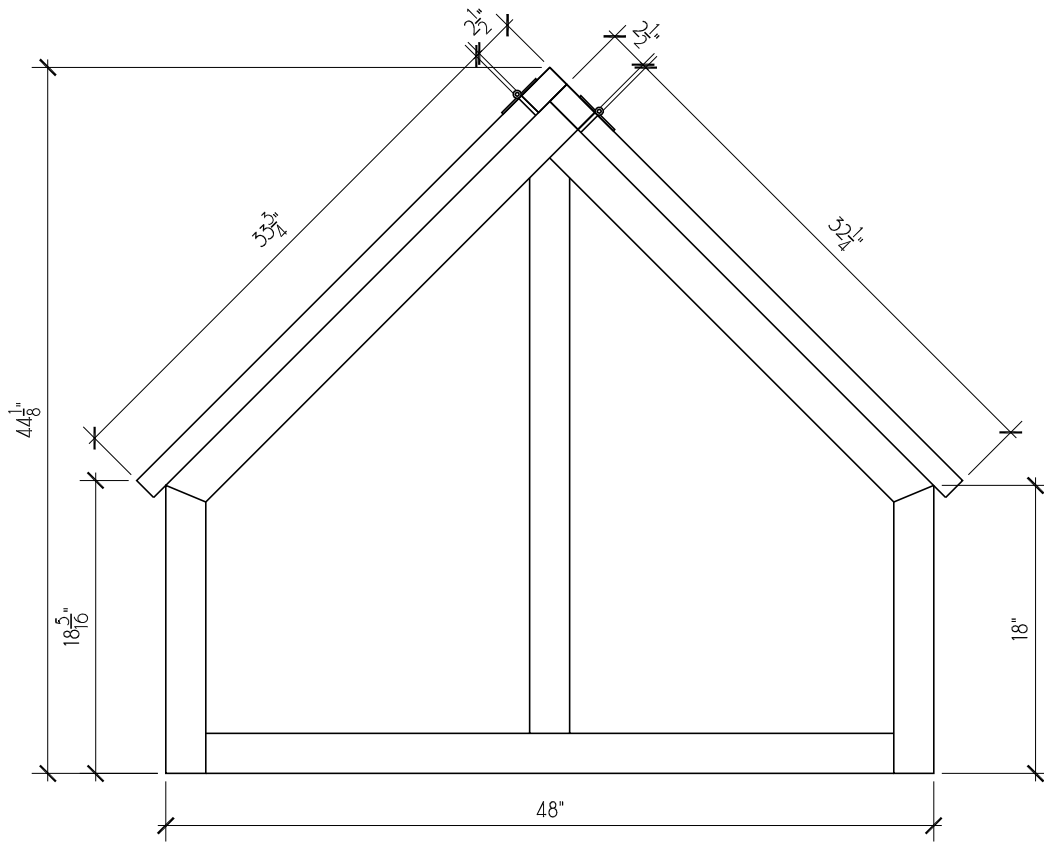
All rights reserved, no part of this publication may be reproduced or transmitted in any form or by any means without the written permission of the authors.

The mini-greenhouse designs in this document are the copyrighted property of RJT Designs. Readers are encouraged to build these projects for their own use and enjoyment or for gifts. However, reproduction for sale or profit is forbidden by law without the written permission of RJT Designs.

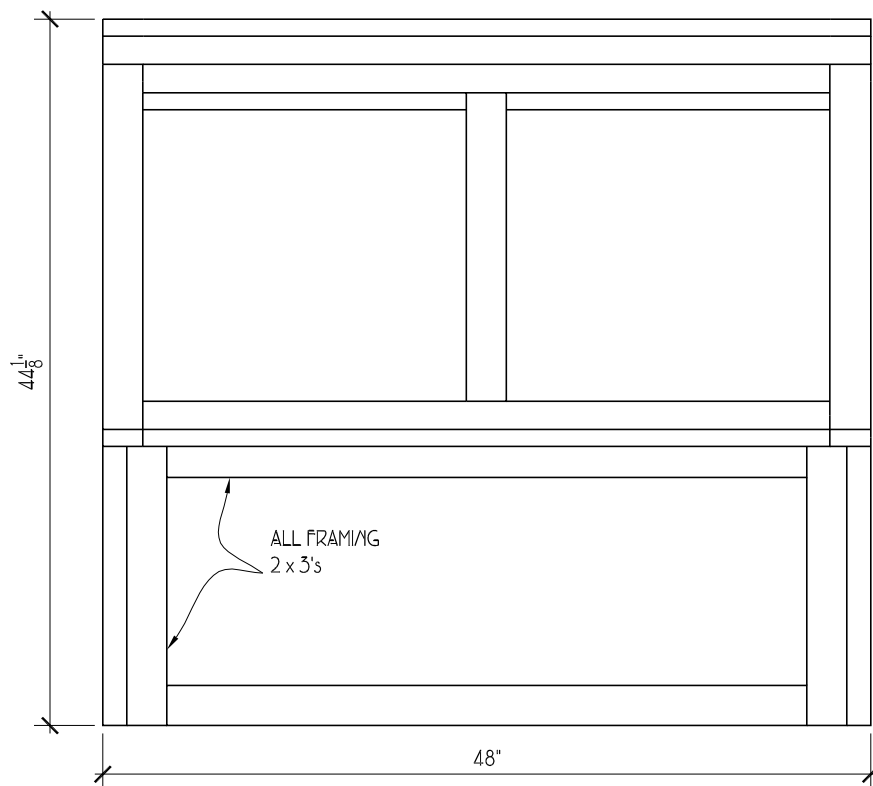
**RJT**  
**DESIGNS**

[www.rjtdesigns.com](http://www.rjtdesigns.com)

Copyright © 2010 - RJT Designs



END VIEW  
SCALE: 1" = 1'-0"

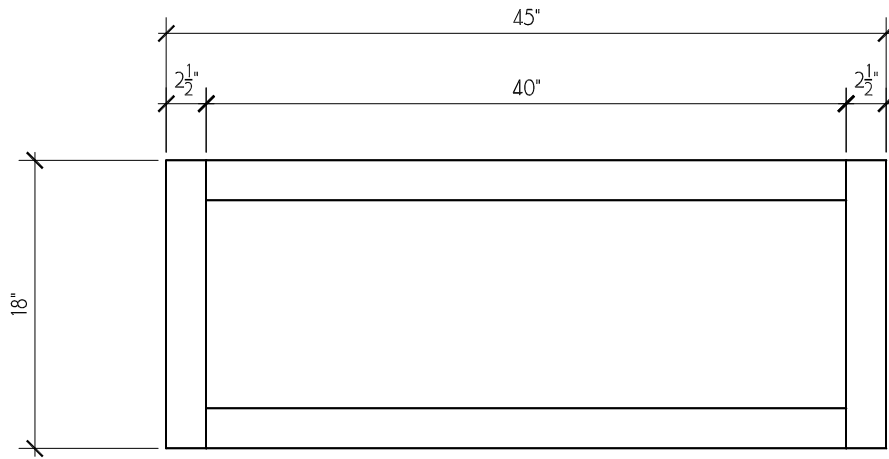


SIDE VIEW  
SCALE: 1" = 1'-0"

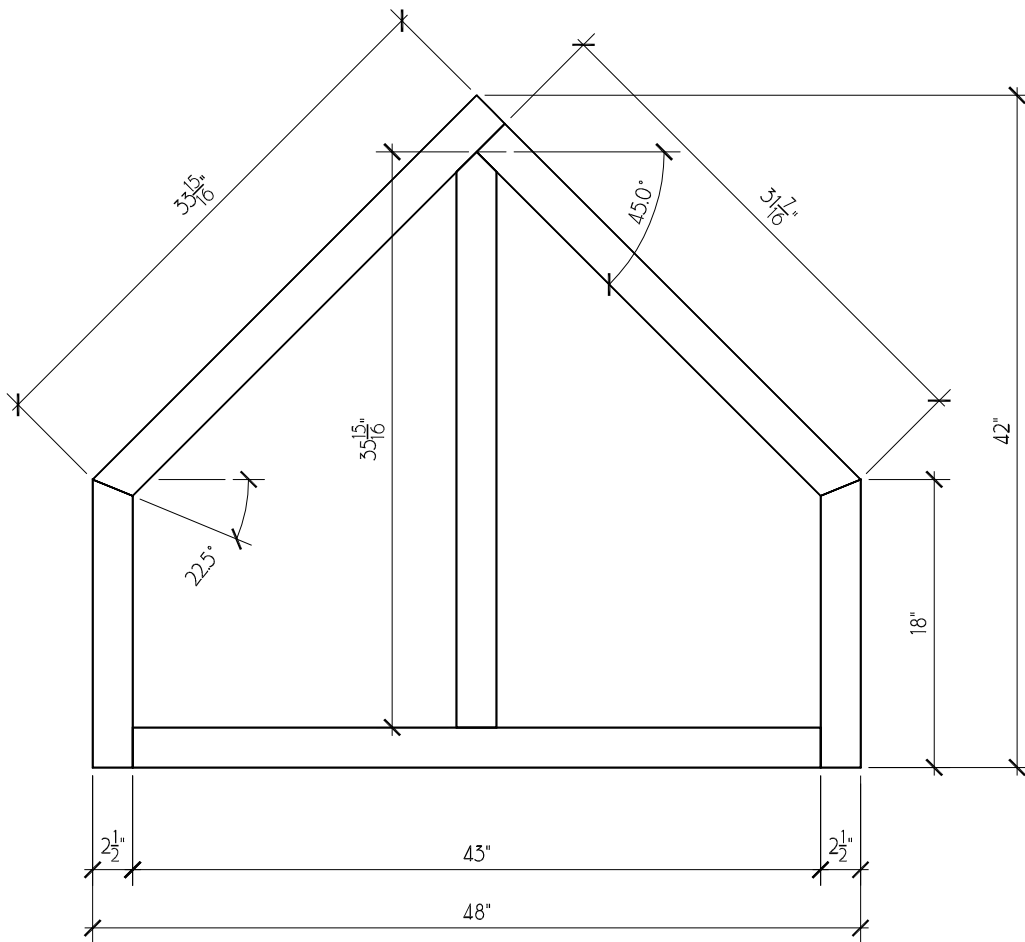
**RJT**  
DESIGNS

www.rjtdesigns.com

Copyright © 2010 -RJT Designs



SIDE PANEL  
SCALE: 1" = 1'-0"

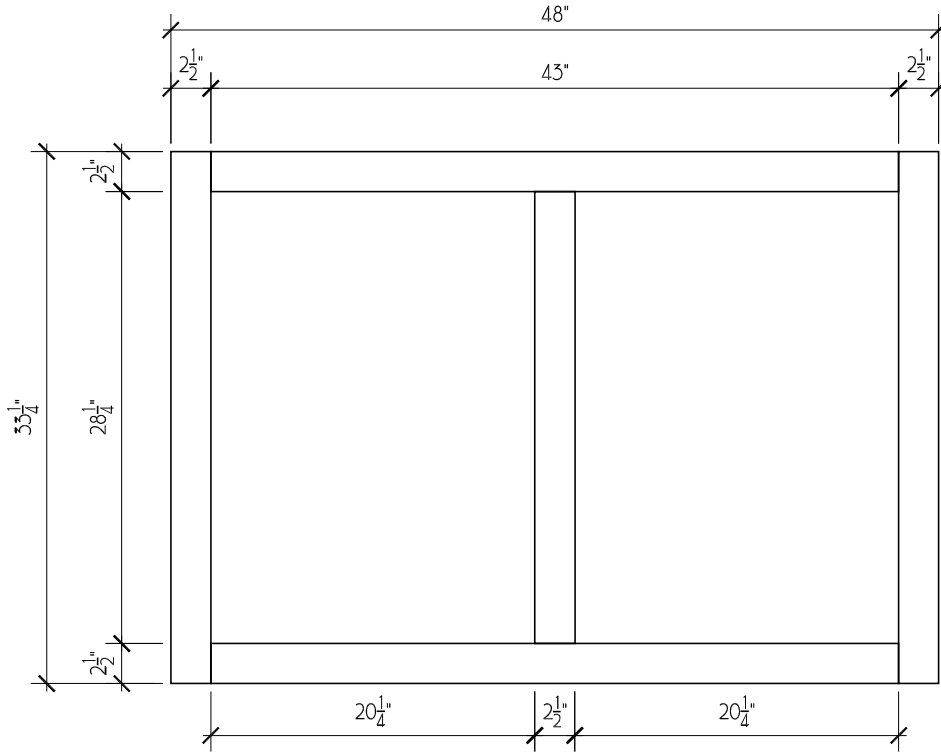


END PANEL  
SCALE: 1" = 1'-0"

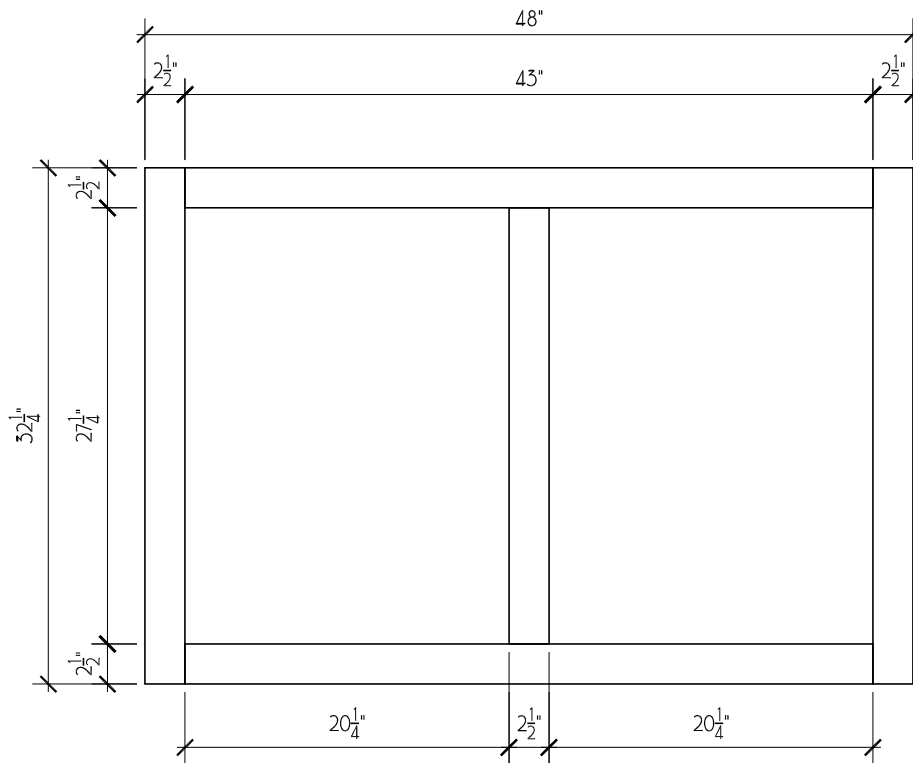
**RJT**  
DESIGNS

www.rjtdesigns.com

Copyright © 2010 - RJT Designs



ROOF PANEL - A  
SCALE: 1" = 1'-0"

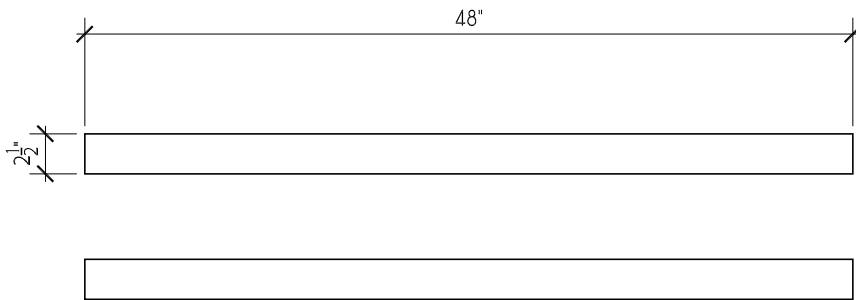


ROOF PANEL - B  
SCALE: 1" = 1'-0"

**RJT**  
DESIGNS

www.rjtdesigns.com

Copyright © 2010 - RJT Designs



RIDGE BEAMS  
SCALE: 1" = 1'-0"

**RJT**  
DESIGNS

[www.rjtdesigns.com](http://www.rjtdesigns.com)

Copyright © 2010 -RJT Designs