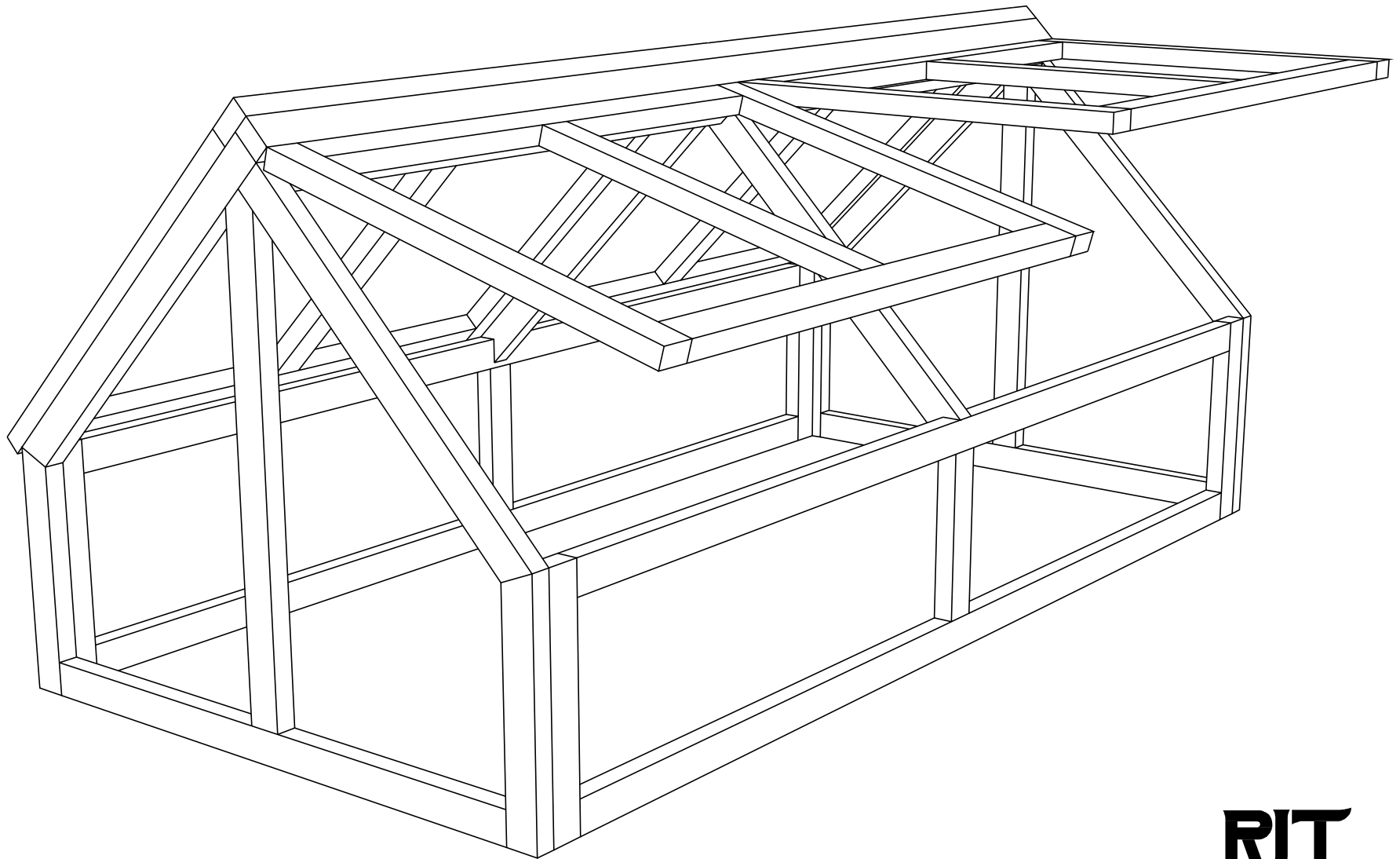


4' x 8' MINI GREENHOUSE



RJT
DESIGNS

www.rjtdesigns.com
Copyright © 2010 - RJT Designs

4' x 8' MINI GREENHOUSE

This mini-greenhouse is an easy to build project that will allow you the opportunity to extend the growing season. The large hinged roof panels allow easy access for planting and harvesting and can also be propped open for ventilation.

Cedar is the best choice for material because it has natural rot-resistant properties, however it is very expensive. I have used unfinished, untreated 2 x 3 fir framing studs (which are inexpensive) to build my first mini-greenhouses and 4 years later they are still in great shape and have not started to rot. Pressure treated lumber is not recommended because it contains toxic chemicals that can leach into the soil. Exterior grade screws and hinges should also be used so they will not rust in the humid environment and outdoor elements.

For covering the mini-greenhouse I used 6 MIL greenhouse film which I purchased from Growers Supply (www.growersupply.com). It is very inexpensive, has a 4 year rating and holds up very well.

Copyright © 2010 by RJT Designs

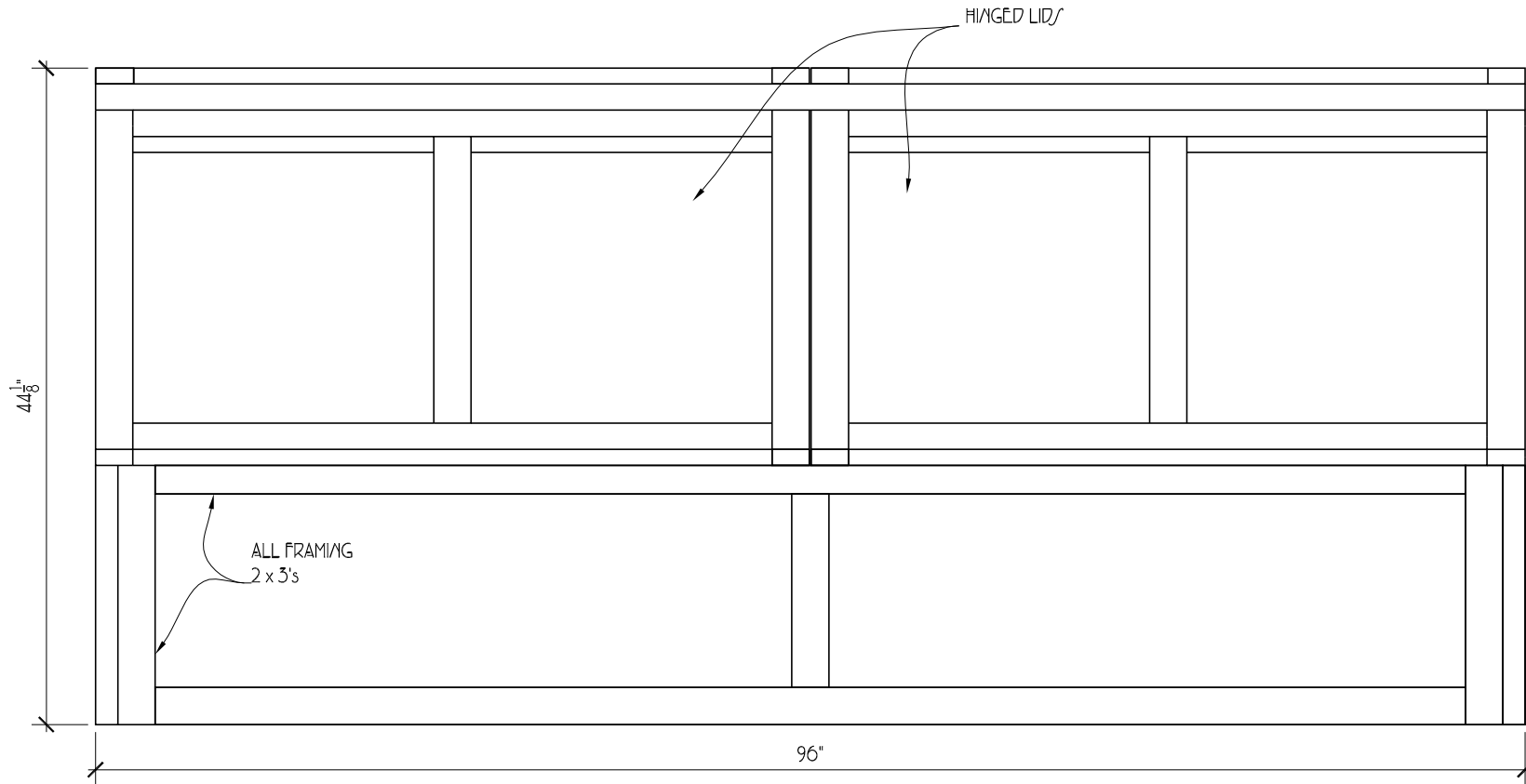
All rights reserved, no part of this publication may be reproduced or transmitted in any form or by any means without the written permission of the authors.

The mini-greenhouse designs in this document are the copyrighted property of RJT Designs. Readers are encouraged to build these projects for their own use and enjoyment or for gifts. However, reproduction for sale or profit is forbidden by law without the written permission of RJT Designs.

RJT
DESIGNS

www.rjtdesigns.com

Copyright © 2010 - RJT Designs

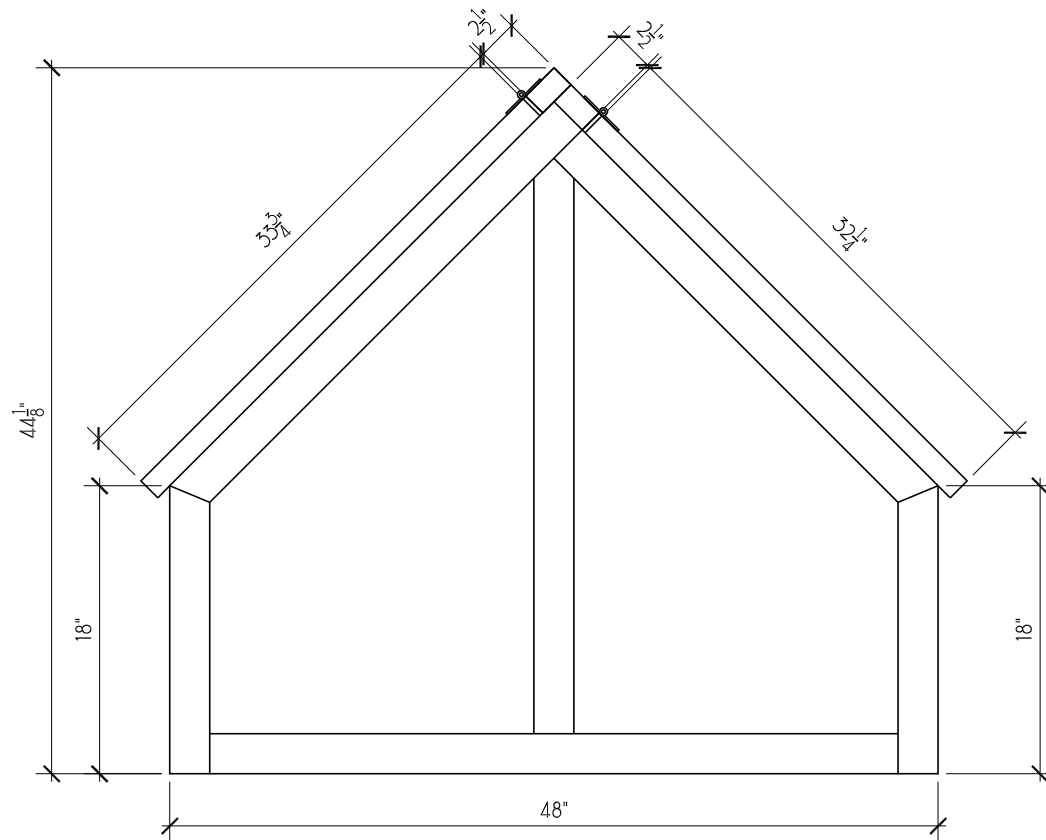


SIDE VIEW
SCALE 1" = 1'-0"

RJT
DESIGNS

www.rjtdesigns.com

Copyright © 2010 - RJT Designs

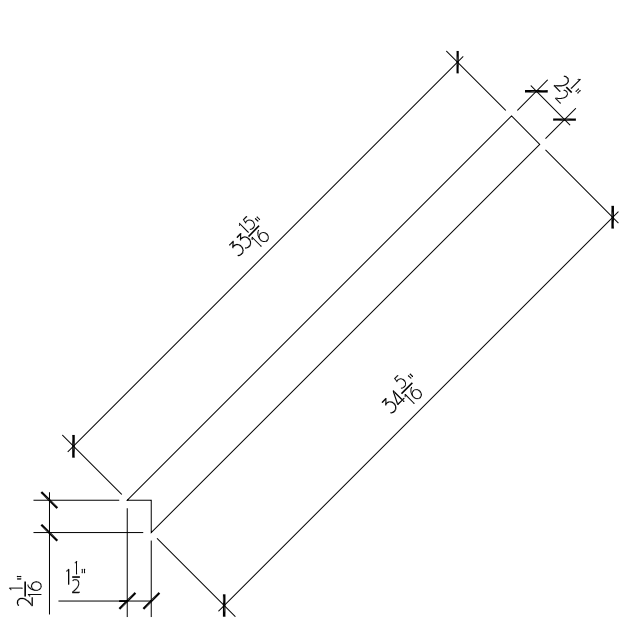


END VIEW
SCALE: 1" = 1'-0"

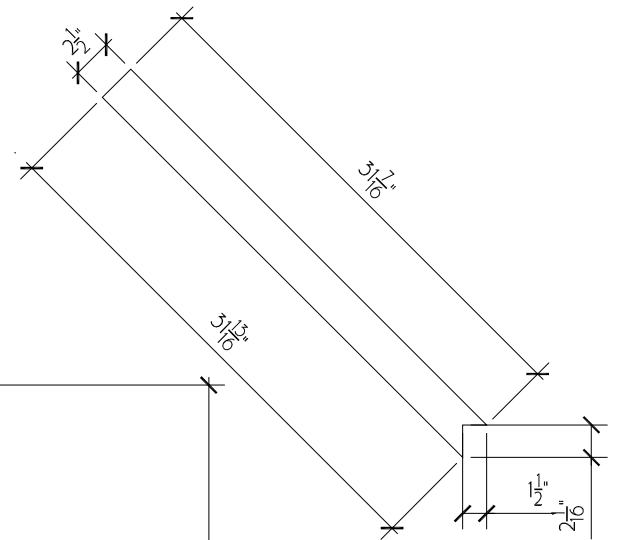
RJT
DESIGNS

www.rjtdesigns.com

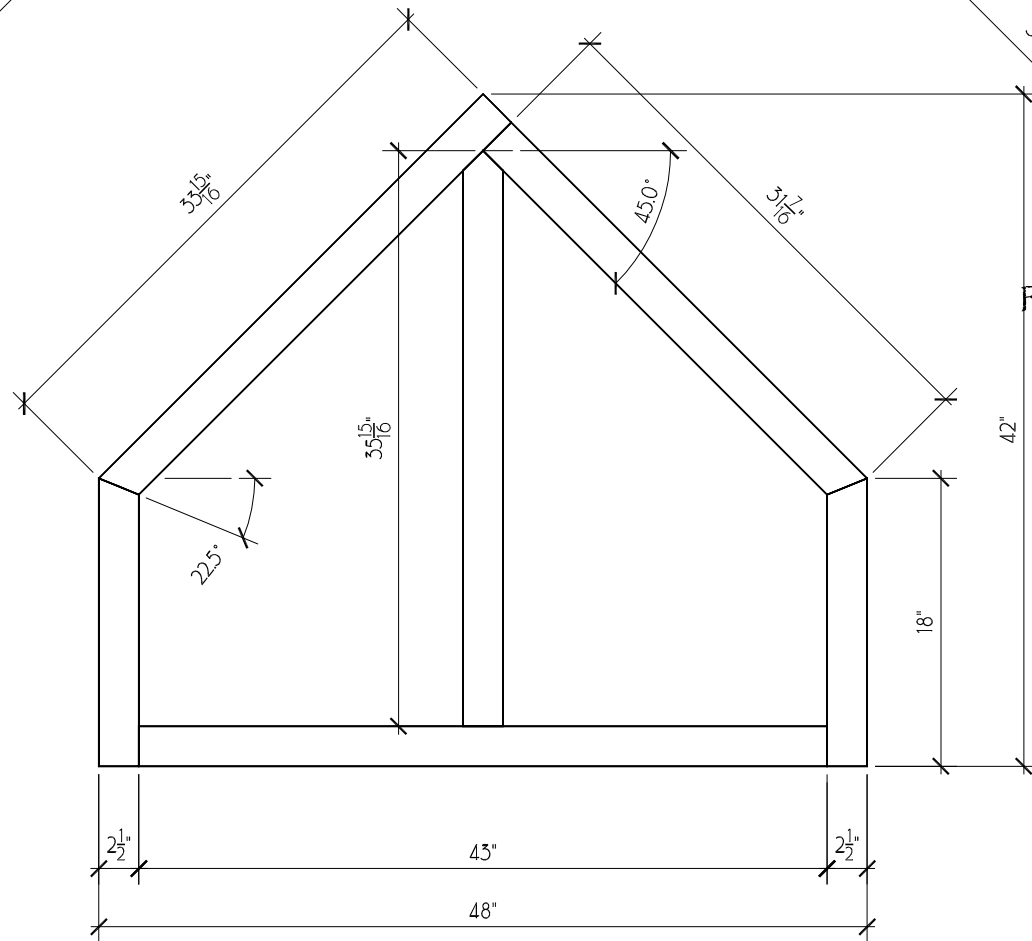
Copyright © 2010 - RJT Designs



ROOF SUPPORT
SCALE: 1" = 1'-0"



ROOF SUPPORT
SCALE: 1" = 1'-0"

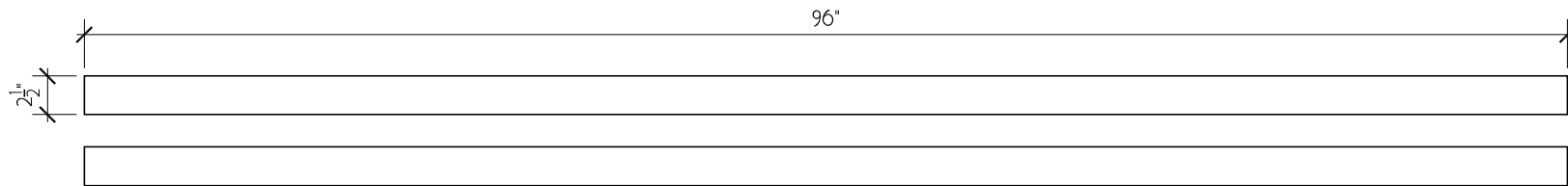


END PANEL
SCALE: 1" = 1'-0"

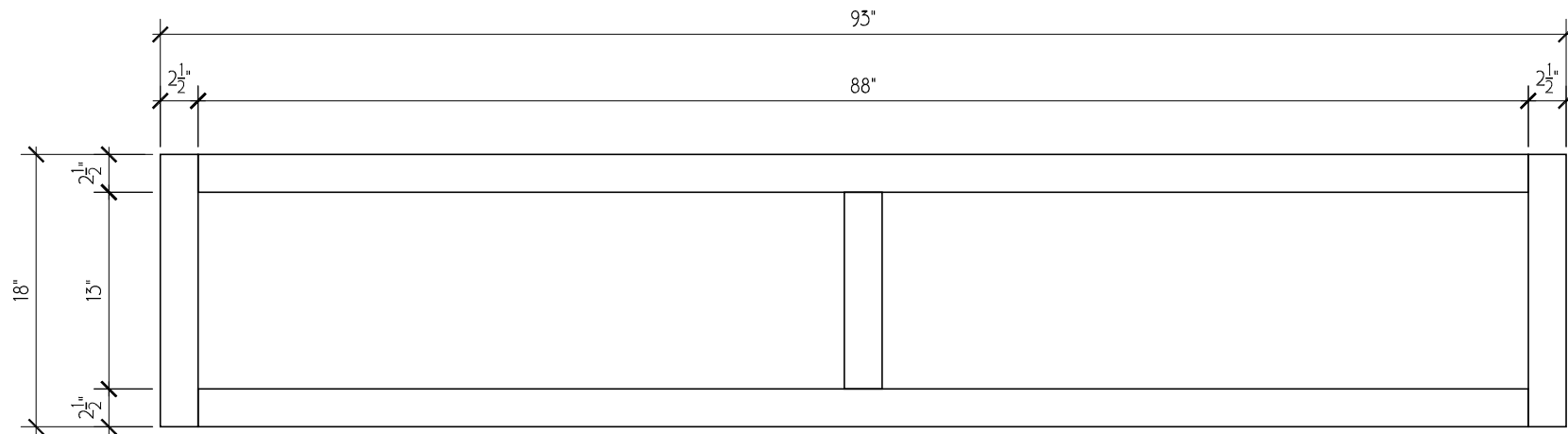
RJT
DESIGNS

www.rjt designs.com

Copyright © 2010 - RJT Designs



RIDGE BEAMS
SCALE: 1" = 1'-0"

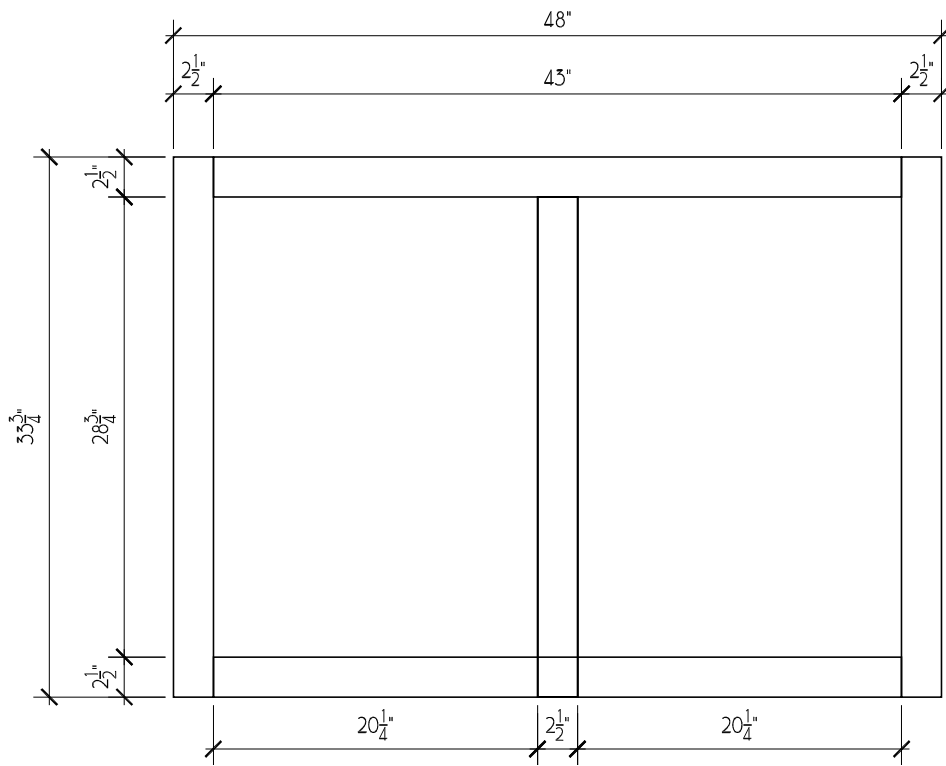


SIDE PANEL
SCALE: 1" = 1'-0"

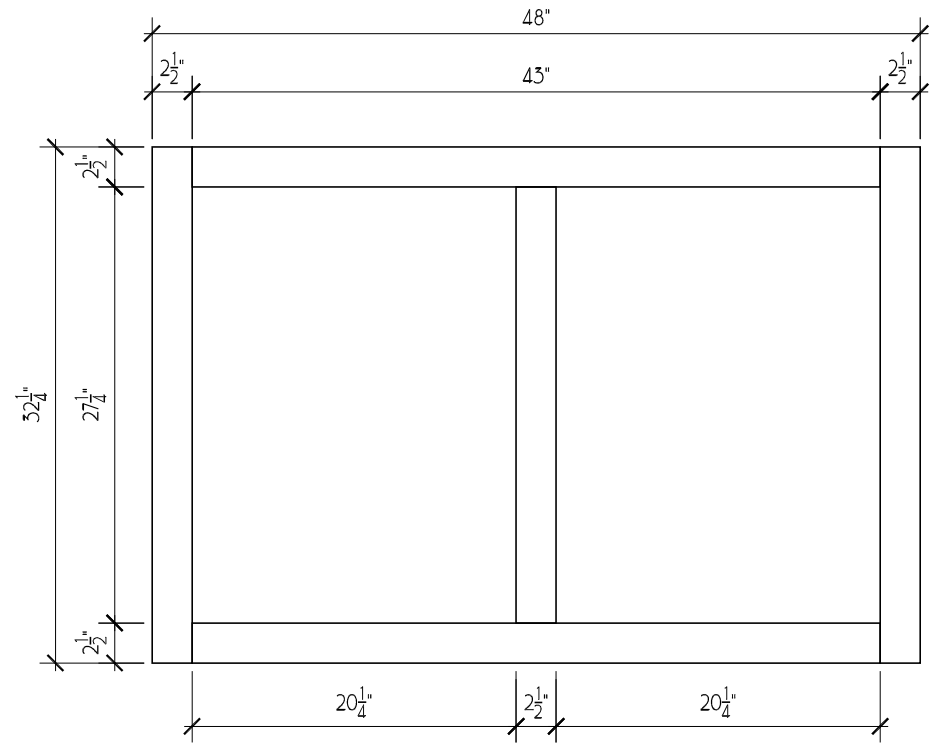
RJT
DESIGNS

www.rjtdesigns.com

Copyright © 2010 - RJT Designs



ROOFPANEL - A
SCALE: 1" = 1'-0"



ROOFPANEL - B
SCALE: 1" = 1'-0"

RJT
DESIGNS

www.rjt designs.com

Copyright © 2010 - RJT Designs