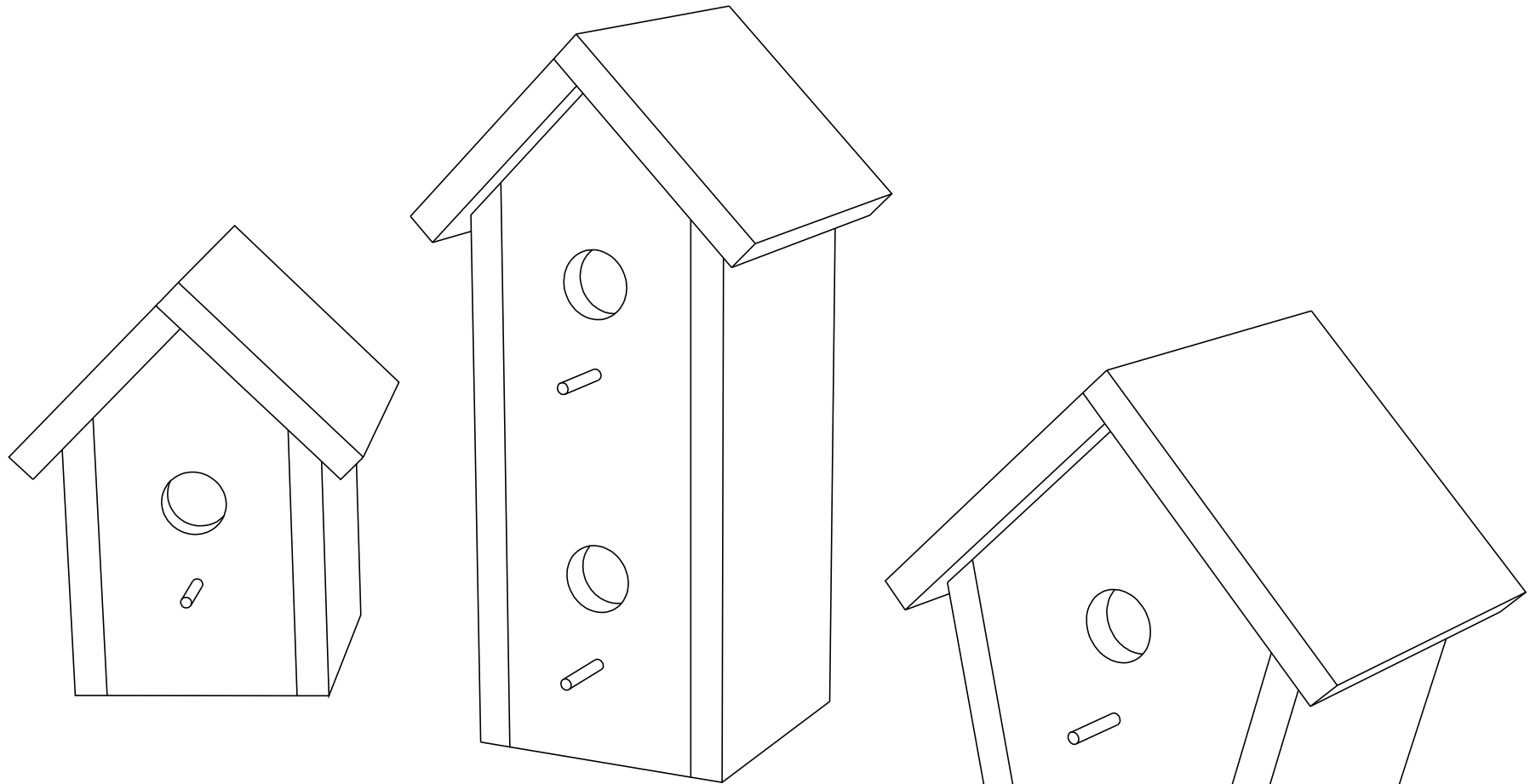


# BIRD HOUSE PLANS



Copyright © 2010 by RJT Designs

All rights reserved, no part of this publication may be reproduced or transmitted in any form or by any means without the written permission of the authors.

The designs in this document are the copyrighted property of RJT Designs. Readers are encouraged to build these projects for their own use and enjoyment or for gifts. However, reproduction for sale or profit is forbidden by law without the written permission of RJT Designs.

RJT Designs assumes no responsibility for the use or misuse of this product, or for any injury, damages and/or financial loss sustained to persons or property as a result of using this product. The liability from any use, misuse or abuse of the operation of any methods, strategies, instructions or ideas contained in the material herein is the sole responsibility of the reader.

Copyright © 2010 RJT DESIGNS

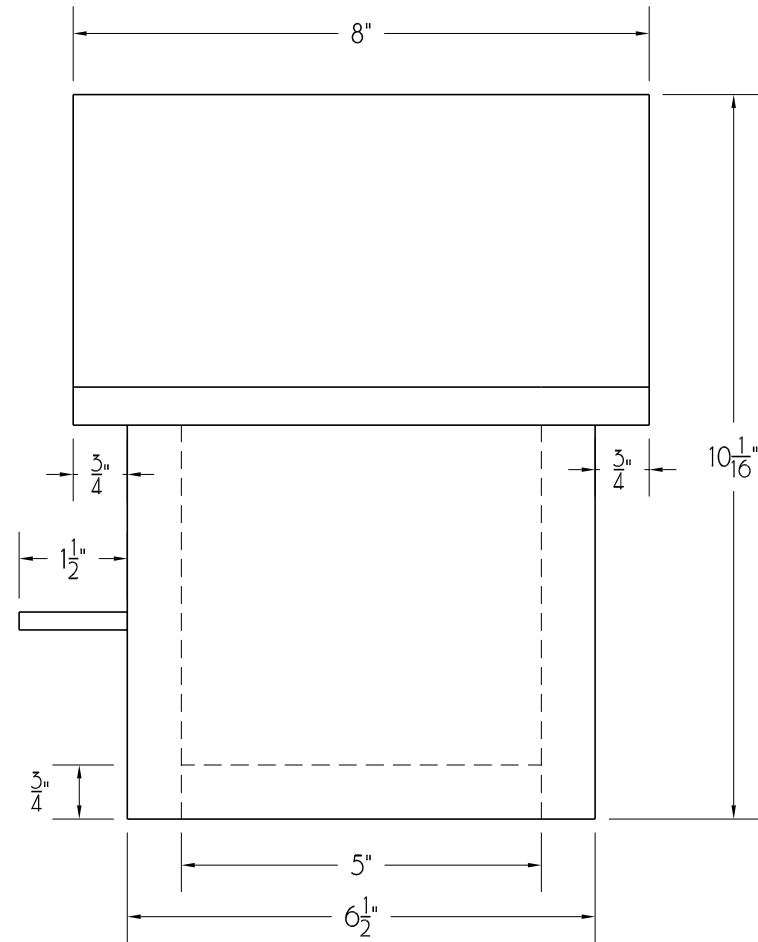
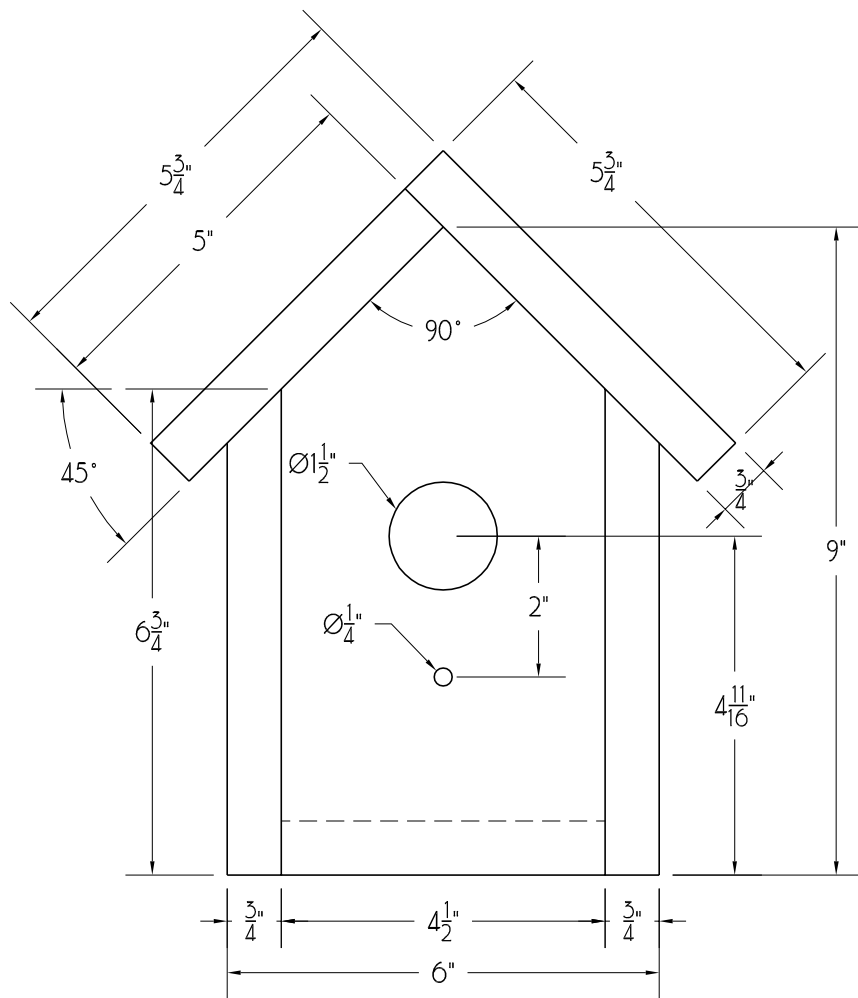
**RJT**  
DESIGNS

[www.rjt designs.com](http://www.rjt designs.com)

Copyright © 2010 - RJT Designs

# Birdhouse #1:

Species of Bird	Diameter of Entrance	Height of Entrance from Floor
Bluebird	1-1/2"	6"
Chickadee	1-1/8"	8"
Tufted Titmouse	1-1/4"	8"
White-Breasted Nuthatch	1-1/4"	8"
House Wren	7/8"	1 to 6"
Tree Swallow	1-1/2"	1 to 6"
Downy Woodpecker	1-1/4"	8"
House Finch	2"	4"





*Birdhouse #3:*

