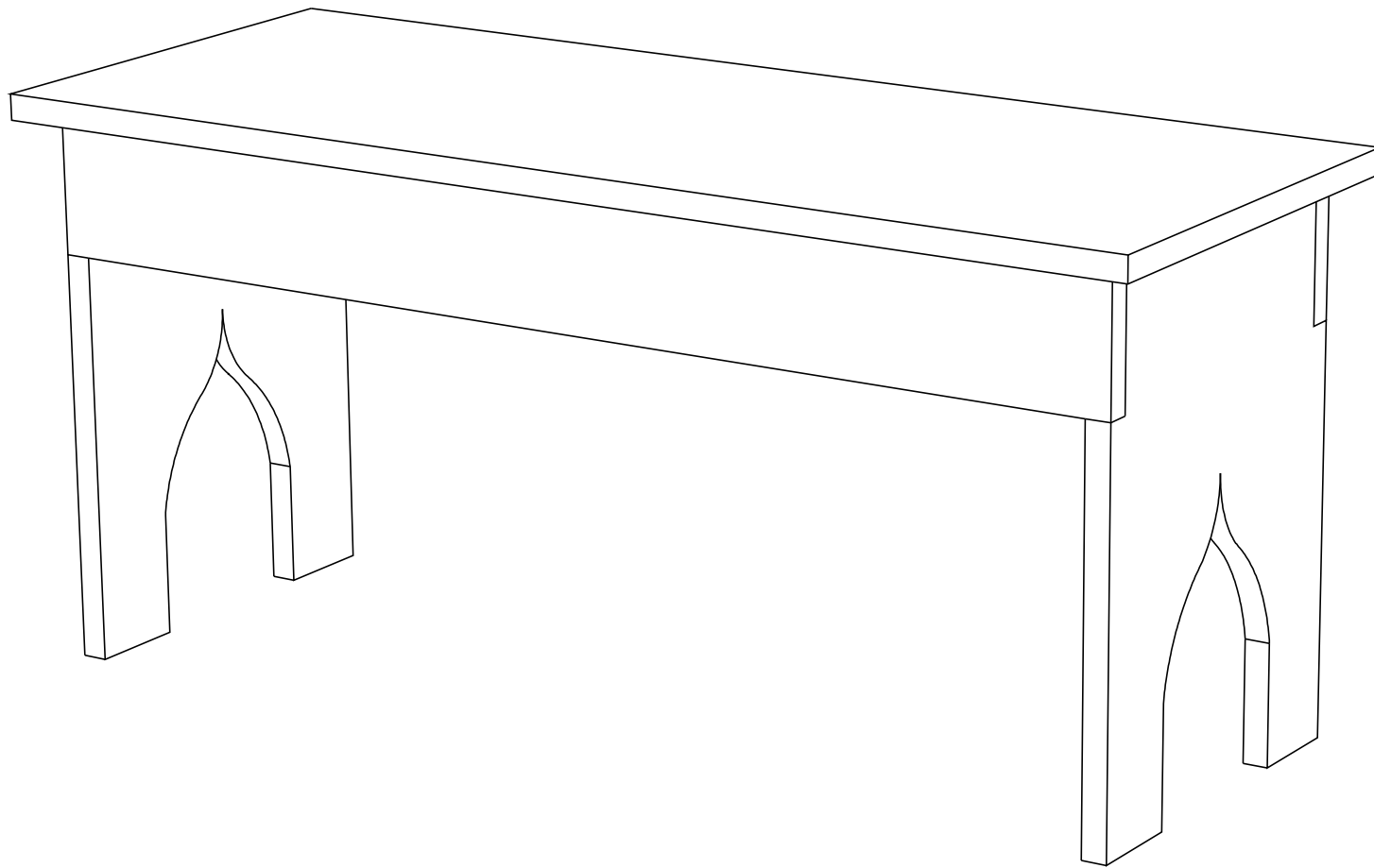


GARDEN BENCH PLANS



RJT
DESIGNS

www.rjtdesigns.com

Copyright © 2012 - RJT Designs

GARDEN BENCH PLANS

This garden bench is an easy to build project that you can use in your garden or on your patio as a sitting bench or as a coffee table. It is made up of only five parts so it is a simple project that can be built in a day.

The bench is drawn at 36" long, but you can make it larger , or smaller, by changing the length of the top and sides accordingly. There is a template at the end of these plans to help you ayout the design on the sides of the bench.

Copyright © 2012 by RJT Designs

All rights reserved, no part of this publication may be reproduced or transmitted in any form or by any means without the written permission of the authors.

The designs in this document are the copyrighted property of RJT Designs. Readers are encouraged to build these projects for their own use and enjoyment or for gifts. However, reproduction for sale or profit is forbidden by law without the written permission of RJT Designs.

RJT Designs assumes no responsibility for the use or misuse of this product, or for any injury, damages and/or financial loss sustained to persons or property as a result of using this product. The liability from any use, misuse or abuse of the operation of any methods, strategies, instructions or ideas contained in the material herein is the sole responsibility of the reader.

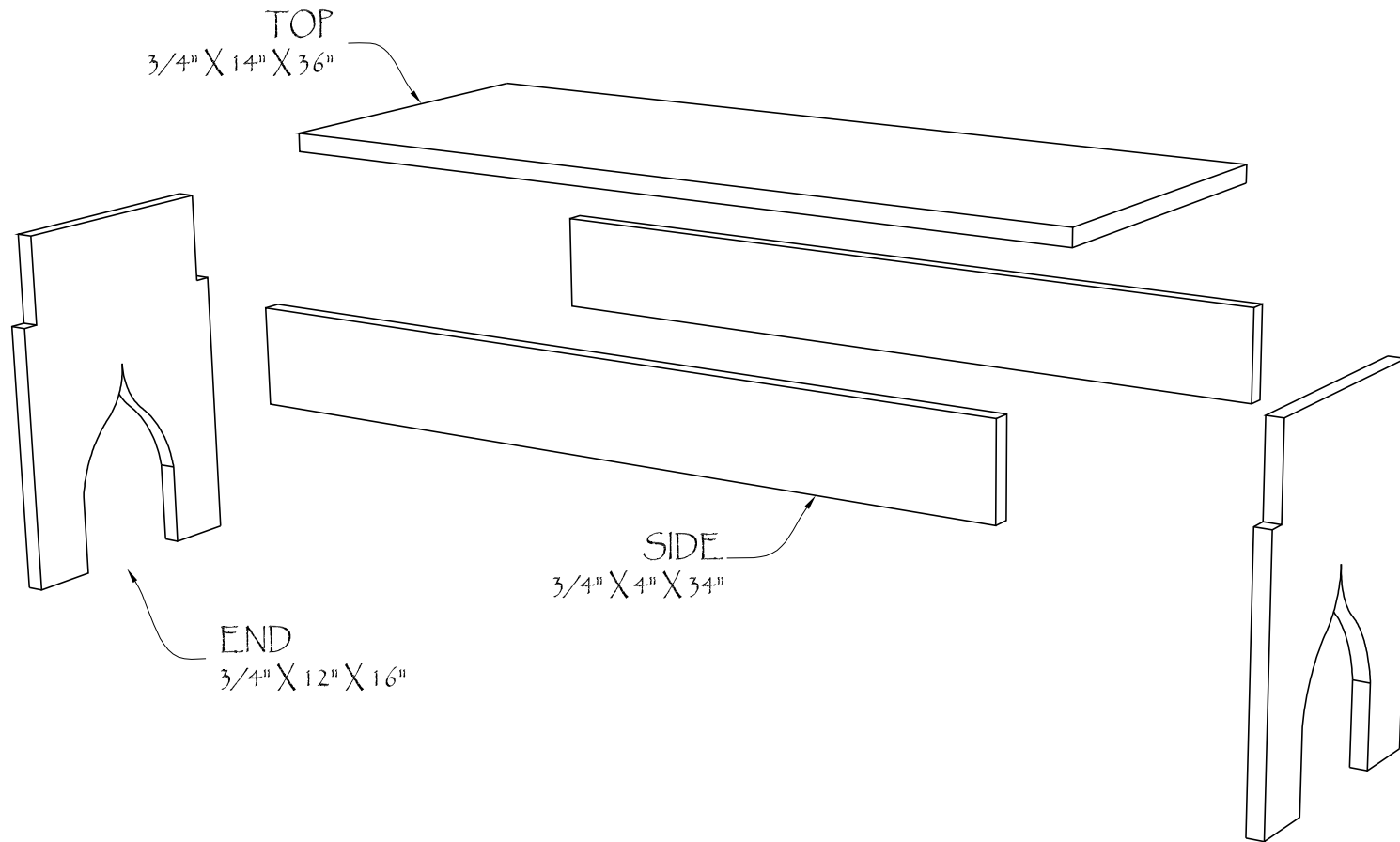
RJT
DESIGNS

www.rjtdesigns.com

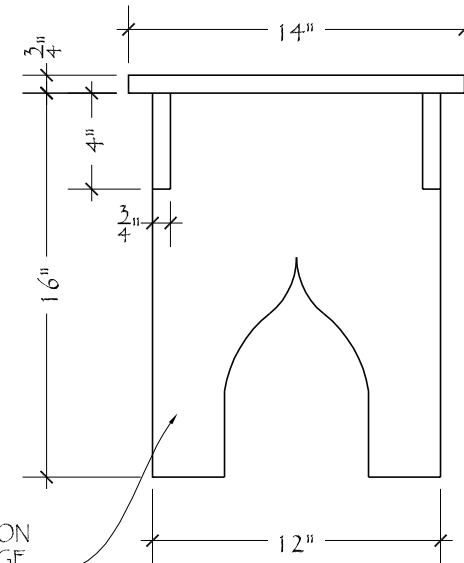
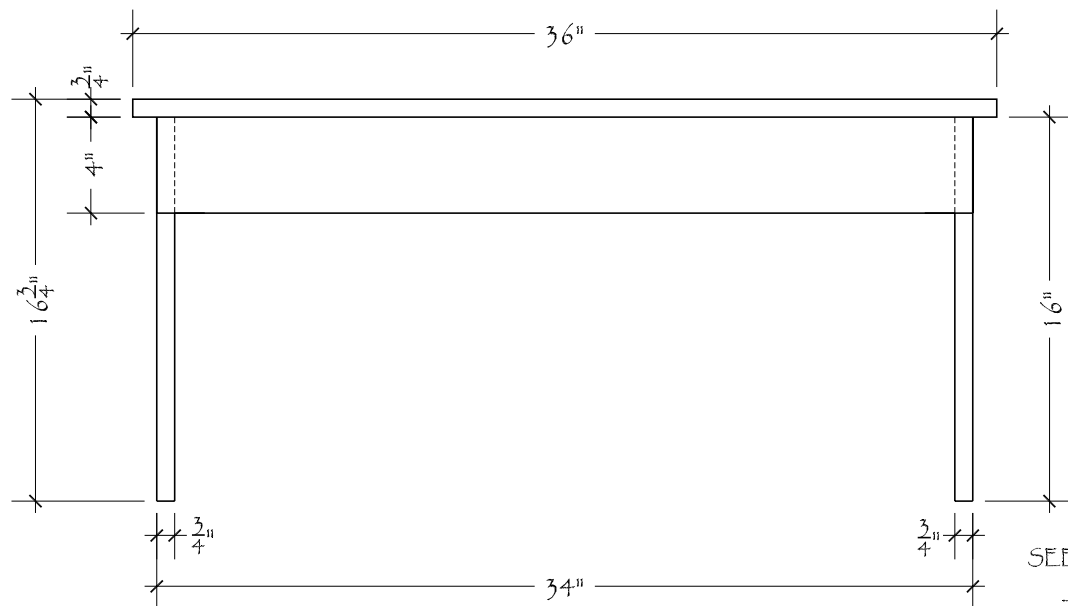
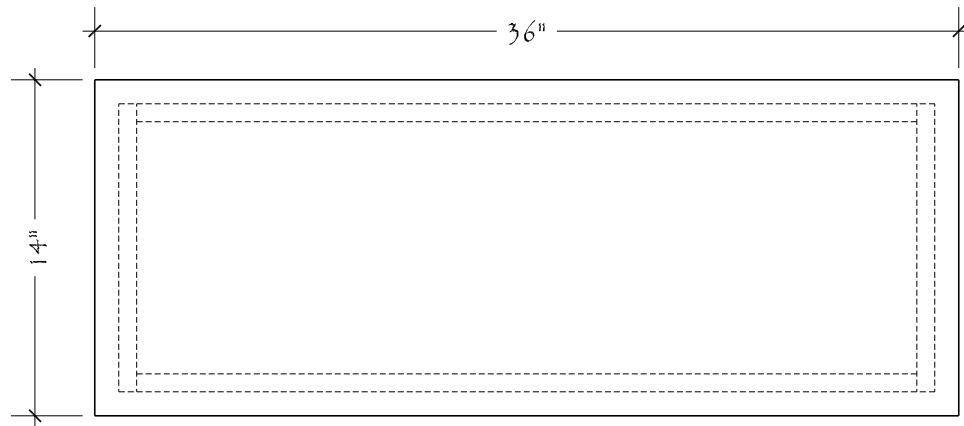
Copyright © 2012 - RJT Designs

Exploded View Drawing:

NOTE: THE BENCH CAN BE EASILY BE MADE SHORTER OR LONGER BY CHANGING THE LENGTHS OF THE TOP AND SIDE PIECES.



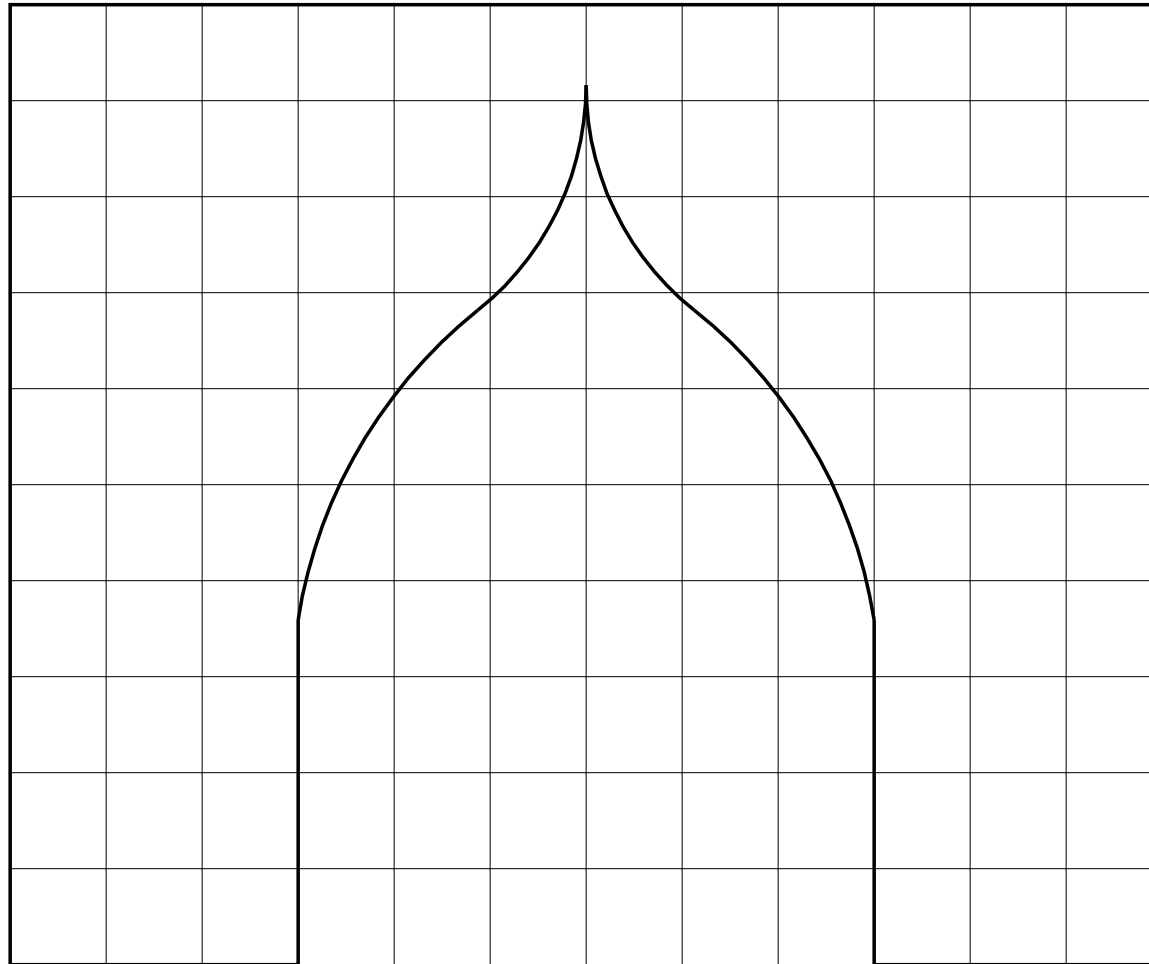
Detail Drawing:



SEE TEMPLATE ON
LAST PAGE
TO CUT DESIGN
ON END PIECES.

Template:

1 sq = 1"



TEMPLATE - A

HALF SCALE