

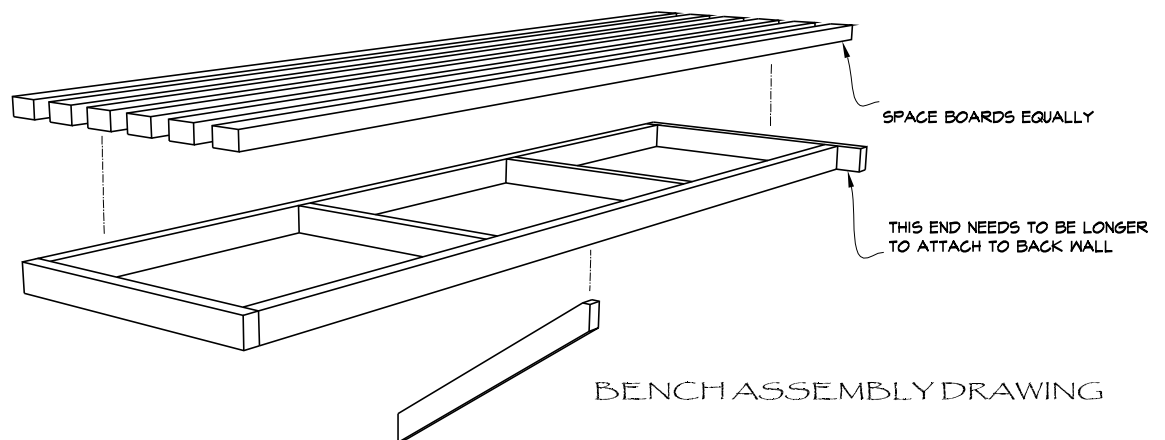
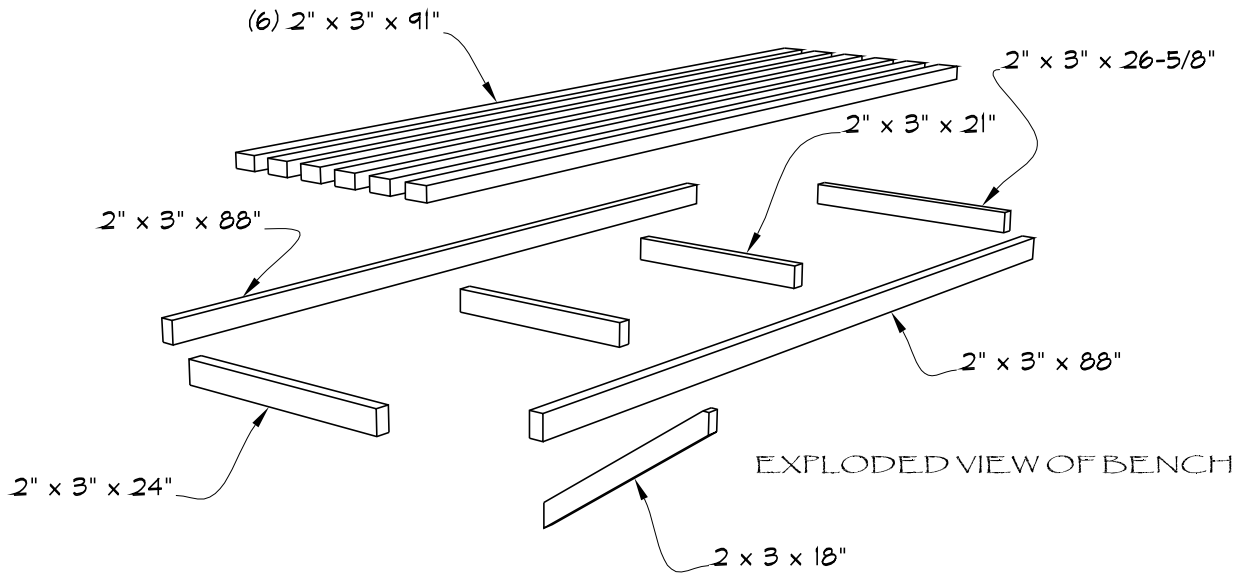
## Making Benches:

Work Benches can be built from 2 x 3's cut to the sizes listed below and assembled as shown in the diagram. Refer to drawing on page 30 for dimensions. Assemble the benches using 2-1/2" screws.

### Materials:\*

- (2) 2" x 3" x 21"
- (2) 2" x 3" x 24"
- (2) 2" x 3" x 88"
- (6) 2" x 3" x 91"
- (1) 2" x 3" x 18"

\*For each bench



### Notes:

The benches will add extra strength to the greenhouse making it more stable.