

Building the Base:

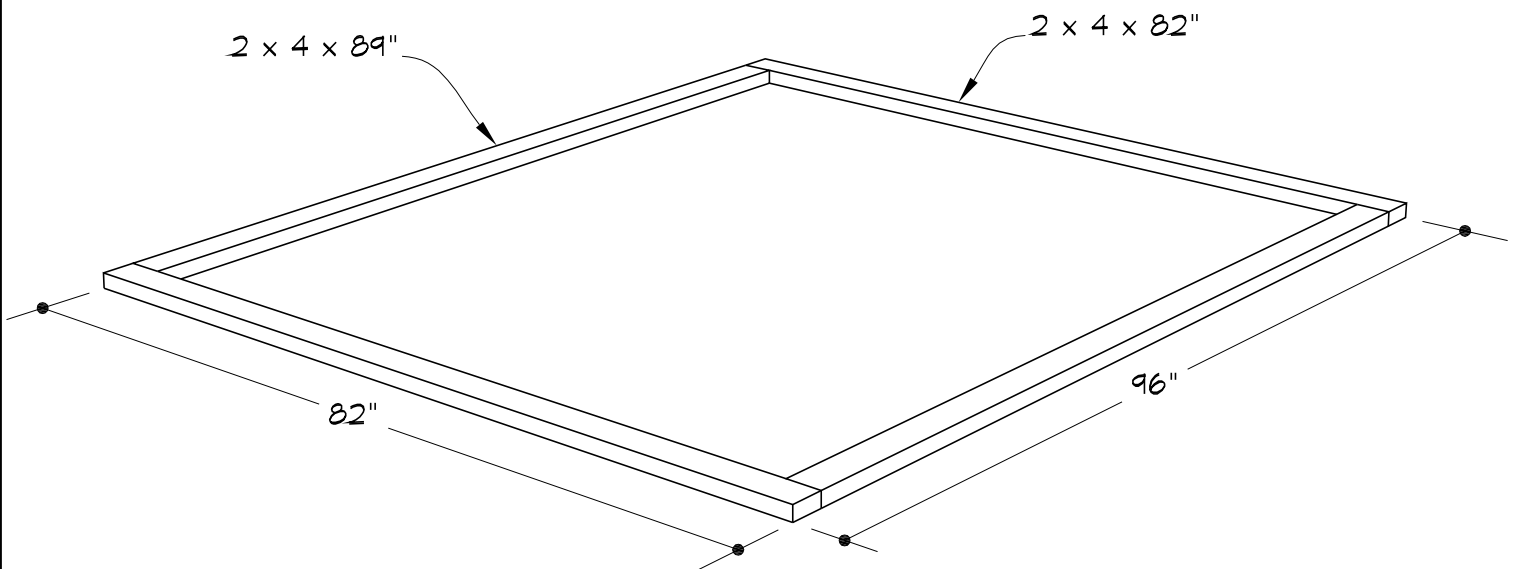
Prepare an area for your greenhouse that is level and gets plenty of sun. You can use cement blocks or bricks to set the base plate on to keep it off the ground to help prevent rotting.

The base is constructed out of 2 x 4's. Cut the lengths shown, assemble and fasten together with 3-1/2" long screws as shown in the diagram below.

Materials:

(2) 2" x 4" x 82"

(2) 2" x 4" x 89"



Notes:

Fasten boards together through the ends, countersinking the screws. The frame will later be attached to the side and end walls.